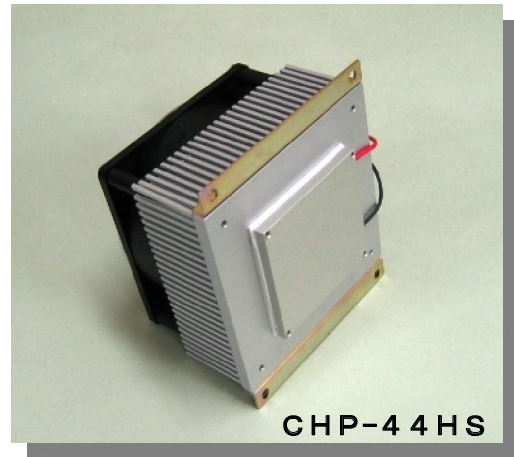


Air-Cooling Peltier Plate

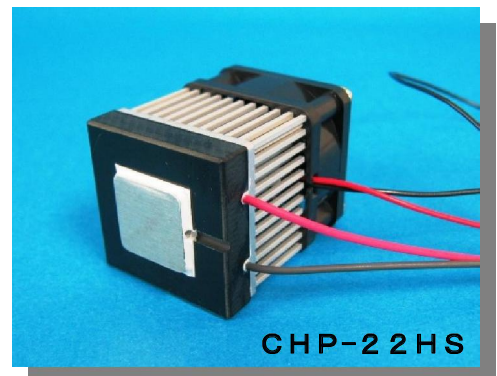
CHP-77HI/CHP-44HS/CHP-22HS



CHP-77HI



CHP-44HS



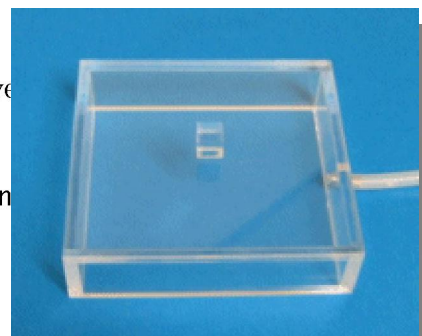
CHP-22HS

Spec

| MODEL | CHP-77HI | CHP-44HS | CHP-22HS |
|--|-------------------|-------------------|------------------|
| Heat Dissipation System | DC-FAN/Heat Sink | | |
| Temp. Reng (MAX. Temp. Differences ΔT) | -20~+120°C (40°C) | | -10~+90°C (30°C) |
| Temp. Sensor | Pt100 | | |
| Dimensions (mm) | 160 × 145 × 150 | 122 × 100 × 73 | 40 × 40 × 55.7 |
| Plat Size (mm) | 100 × 90 | 60 × 60 | 22 × 22 |
| Weighi (g) | 2035 | 1000 | 120 |
| Set Saiz | 70 × 50 (mm) M4-4 | 56 × 56 (mm) M3-4 | - |
| Voltage (V) Current (A) | DC 26 / 6.5 | DC 12 / 5 | DC 7 / 4 |
| Max. Absorption (W) | 83 | 35 | 10 |

Mist Prevention cover

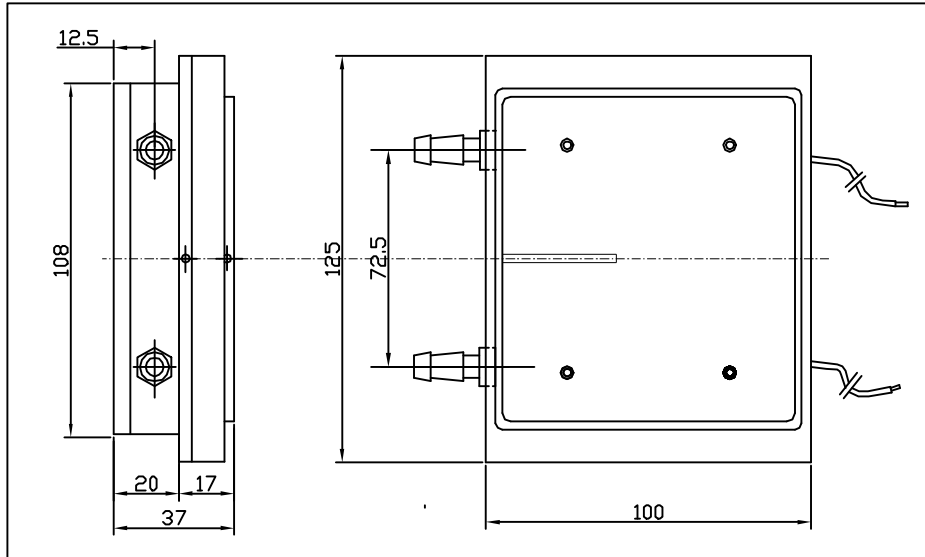
It is a dew-condensation- prevention cover for the air-cooling / water-cooled plate. The open air is just intercepted in size and the nitrogen guided from a Nitrogen jet prevents dew condensation of an examination Subject can be viewed by a clear type.



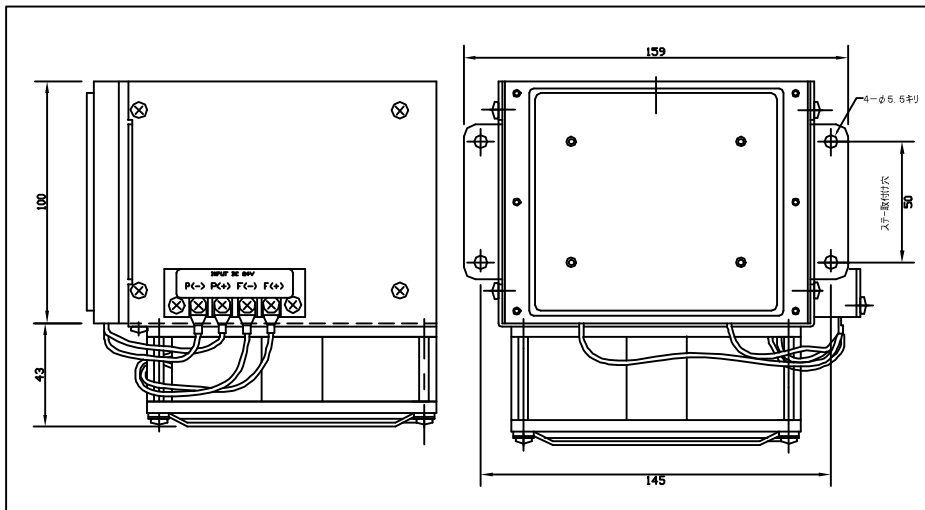
A-G02

Dimensions

■ DET-4120 (Water-cooling)



■ CHP-77HI (Air-cooling)



Temp. Profai I

